



# FR Series Filter Regulator



All innovation  
on driving your valve automation

Distributed in Australia by  
**BEAVER**  
PROCESS EQUIPMENT





**Valve air unit essential to provide clean and dry supply air to valve positioners, solenoid valves and pneumatic actuators**

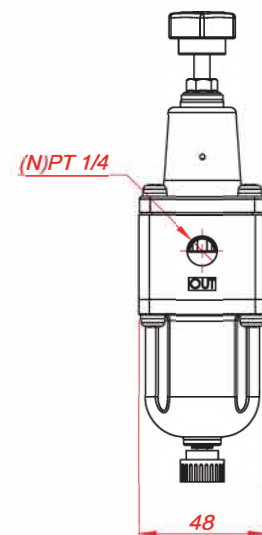
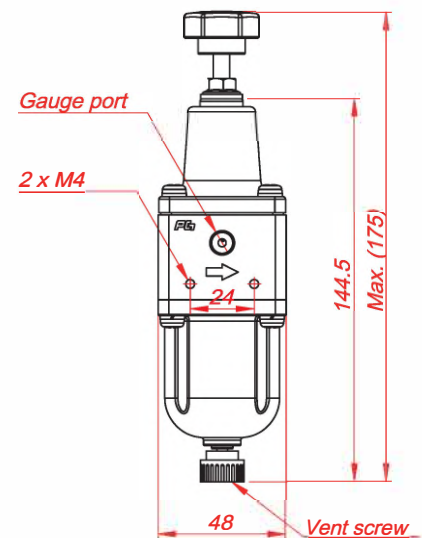
### Features

- ▶ Rugged aluminum die-cast housing
- ▶ Optional stainless steel 316 housing
- ▶ Stable setting pressure
- ▶ High capacity with 5 micron filter
- ▶ Self-relief function to balance output and setting pressures
- ▶ High flow capacity

### Specifications

| Model                           | FR-10   | FR-11               |
|---------------------------------|---|---------------------|
| Port Size                       | PT(Rc) 1/4 or NPT 1/4                                       | NPT 1/4             |
| Fluid                           | Air   |                     |
| Output Pressure Range           | 0 - 4 bar (60 psi) / 0 - 8 bar (120 psi)                    |                     |
| Max. Supply Pressure            | 15 bar (225 psi)  |                     |
| Operating and Fluid Temperature | -20°C to +70°C  |                     |
| Supply Air                      | Filtered compressed, dry and non oiled air (up to 5 micron) |                     |
| Gauge Port Size                 | PT(Rc) 1/8  |                     |
| Filtration                      | 5 micron  |                     |
| Housing Material                | Aluminum die-cast   | Stainless steel 316 |
| Pressure Gauge Material         | Stainless steel   |                     |
| Weight                          | 0.5 kg  | 1 kg                |

### Dimensions



### How to Order

**FR** Body Material - Port Size - Output Pressure Range

| Description                  | Code   |
|------------------------------|--|
| <b>Body Material</b>         | 10 : Aluminum die-cast<br>11 : Stainless steel 316 |
| <b>Port Size</b>             | R : PT(Rc) 1/4<br>N : NPT 1/4                      |
| <b>Output Pressure Range</b> | 1 : 0 - 4 bar (60 psi)<br>2 : 0 - 8 bar (120 psi)  |



**Valve air unit essential to provide clean and dry supply air to valve positioners, solenoid valves and pneumatic actuators**

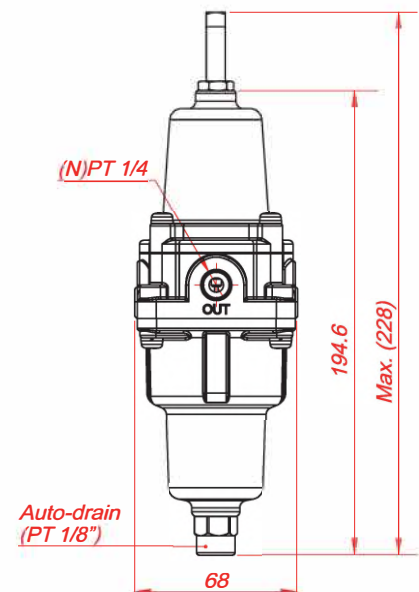
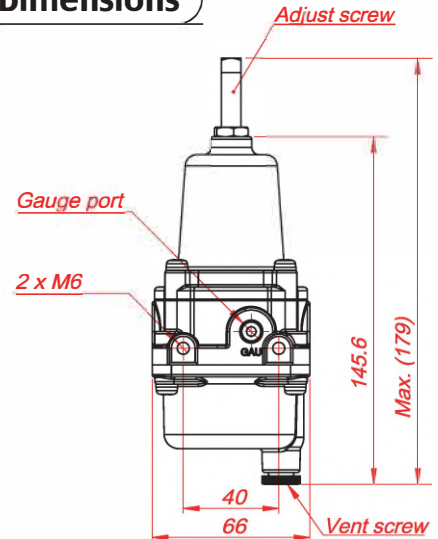
### Features

- ▶ Rugged aluminum die-cast or stainless steel 316 housing
- ▶ Excellent stability and repeatability
- ▶ Outstanding sensitivity with precise setting
- ▶ High capacity with 5 micron filter
- ▶ Self-relief function to balance output and setting pressures
- ▶ High flow capacity
- ▶ Optional auto-drain (float type)

### Specifications

| Model                           | FR-20   | FR-21               |
|---------------------------------|---|---------------------|
| Port Size                       | PT(Rc) 1/4 or NPT 1/4                                       | NPT 1/4             |
| Fluid                           | Air   |                     |
| Output Pressure Range           | 0 - 4 bar (60 psi) / 0 - 8 bar (120 psi)                    |                     |
| Max. Supply Pressure            | 15 bar (225 psi)  |                     |
| Operating and Fluid Temperature | -20 °C to +70 °C  |                     |
| Supply Air                      | Filtered compressed, dry and non oiled air (up to 5 micron) |                     |
| Gauge Port Size                 | PT(Rc) 1/8  |                     |
| Filtration                      | 5 micron  |                     |
| Housing Material                | Aluminum die-cast   | Stainless steel 316 |
| Pressure Gauge Material         | Stainless steel   |                     |
| Weight                          | 0.65 kg   | 1.4 kg              |

### Dimensions



### How to Order

**FR** Body Material - Port Size Output Pressure Range Operating Temp. - Options

| Description                  | Code   |                         |
|------------------------------|--|-------------------------|
| <b>Body Material</b>         | 20 : Aluminum die-cast<br>21 : Stainless steel 316 |                         |
| <b>Port Size</b>             | R : PT(Rc) 1/4                                     | N : NPT 1/4             |
| <b>Output Pressure Range</b> | 1 : 0 - 4 bar (60 psi)                             | 2 : 0 - 8 bar (120 psi) |
| <b>Operating Temperature</b> | 0 : -20 - +70 °C<br>2 : -40 - +80 °C               | 1 : -20 - +120 °C       |
| <b>Options</b>               | M : Manual drain                                   | A : Auto drain          |



**Valve air unit essential to provide clean and dry supply air to valve positioners, solenoid valves and pneumatic actuators**

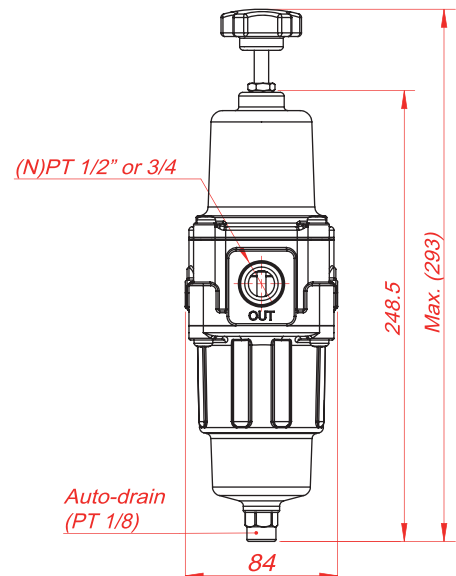
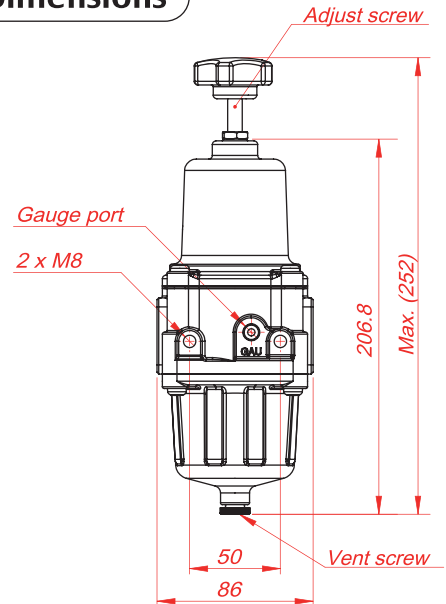
### Features

- ▶ Rugged aluminum die-cast or stainless steel 316 housing
- ▶ Excellent stability and repeatability
- ▶ Outstanding sensitivity with precise setting
- ▶ High capacity with 5 micron filter
- ▶ Self-relief function to balance output and setting pressures
- ▶ High flow capacity
- ▶ Optional auto-drain (float type)

### Specifications

| Model                   | FR-30   | FR-31               |
|-------------------------|---|---------------------|
| Port Size               | PT(Rc) 1/2, NPT 1/2<br>PT(Rc) 3/4, NPT 3/4                  | NPT 1/2<br>NPT 3/4  |
| Fluid                   | Air   |                     |
| Output Pressure Range   | 0 - 4 bar (60 psi) / 0 - 8 bar (120 psi)                    |                     |
| Max. Supply Pressure    | 15 bar (225 psi)  |                     |
| Operating Temperature   | -20°C to +70°C  |                     |
| Supply Air              | Filtered compressed, dry and non oiled air (up to 5 micron) |                     |
| Gauge Port Size         | PT(Rc) 1/8  |                     |
| Filtration              | 5 micron  |                     |
| Housing Material        | Aluminum die-cast   | Stainless steel 316 |
| Pressure Gauge Material | Stainless steel   |                     |
| Weight                  | 1.6 kg  | 3.4 kg              |

### Dimensions



### How to Order

**FR** Body Material - Port Size Output Pressure Range Operating Temp. - Options

| Description           | Code   |                            |
|-----------------------|--|----------------------------|
| Body Material         | 30 : Aluminum die-cast<br>31 : Stainless steel 316 |                            |
| Port Size             | 1 : PT (Rc) 1/2<br>3 : PT (Rc) 3/4                 | 2 : NPT 1/2<br>4 : NPT 3/4 |
| Output Pressure Range | 1 : 0 - 4 bar (60 psi)                             | 2 : 0 - 8 bar (120 psi)    |
| Operating Temperature | 0 : -20 - +70°C<br>2 : -40 - +80°C                 | 1 : -20 - +120°C           |
| Options               | M : Manual drain                                   | A : Auto drain             |