

Beaver Pneumatic Linear Cylinder Valve Actuator

A pneumatic cylinder actuator used to operate and control rising stem valves.

T11, T12



Beaver T11-T12 Pneumatic Linear Cylinder Valve Actuator

The Beaver Pneumatic Linear Cylinder Actuator has a piston and rod mechanism in an enclosed cylinder that provides linear motion.

The T11 model is a double acting actuator which has a port at each end that alternately supplies pneumatic force to move the piston forwards and back.

Meanwhile, the T12 model is a spring return actuator. Compressed air is only supplied on one side while a spring mechanism provides the opposing force.



Beaver T11 Pneumatic Cylinder

KEY FEATURES

- Precision ground 304 stainless steel or EN8D hard chrome-plated piston rod.
- Rod end has a combination of rod seal, wiper seal, and DU bearing.
- Wiper seal removes dust and atmospheric contamination from the rod.
- Molybdenum disulphide cylinder lining reduces friction and need for lubrication.
- Can be specified as double acting or spring return with a fail-open or fail-close position.

Need technical advice? Our friendly specialists are here to help.

T11-T12

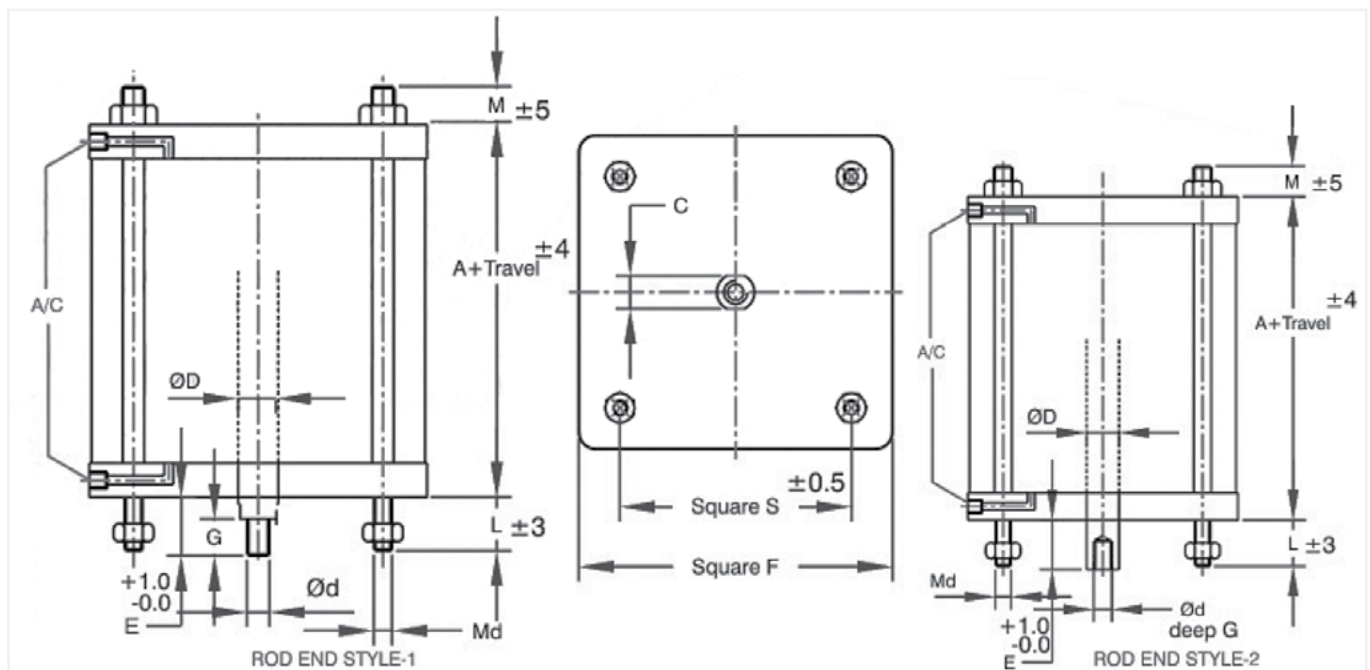
Pneumatic Linear Cylinder Valve Actuator

Tables 1-2. T11-T12 Specifications

Technical Specifications	
Brand	Beaver
Model	T11 (Double acting) T12 (Spring return)
Barrel diameter	100-660mm (Double acting) 75-350mm (Spring return)
Cylinder thrust	2.2-166kN
Pressure rating	10bar
Temperature range	-23°C to +80°C
Contact us for other drive sizes and air connection NPT sizes.	

Material Specifications	
Head/cover	SGI 600/3/ IS210 Gr FG 260 ASTM A216 Gr WCB
Piston	SGI 600/3/ CFI FG 260/Steel
Barrel	Composite non-metallic Steel Aluminium
Tie rod	EN8-rolled thread SS304
Piston rod	SS304 EN8D hard chromium plated
Piston rod bearing	DU
O-ring	Nitrile
Piston bearing	CFT

Diagram. T11 Parts



T11-T12

Pneumatic Linear Cylinder Valve Actuator

Table 2. T11 Dimensions

Product Dimensions (mm)															
Cylinder model	Cylinder size	A	C	ØD	Ød	E	F	G	L	Md	S	AC	Cylinder thrust in kN @		
													3 bar	4 bar	5 bar
T11-04	100	102	27	30	¾"-16 TPI UNF (Style 2)	19	114	28	35	M10 x 1.5P	84	¾"	2.2	2.9	3.6
T11-05	125	102	27	30		19	140		46	M12 x 1.75P	104	¾"	3.5	4.7	5.9
T11-06	150	102	27	30		22	165		46	M12 x 1.75P	12	¾"	5.2	6.9	8.6
T11-08	200	102	27	30		22	216		51	M16 x 2P	164	¾"	9.3	12.4	15.6
T11-10	250	112	27	30		25	270		57	M20 x 2.5P	201	½"	14.7	19.6	24.5
T11-12	300	124	40	45	1"-14 TPI UNS (Style 2)	25	324	41	57	M20 x 2.5P	239	½"	21	28	35
T11-14	350	134	40	45		25	375		64	M22 x 2.5P	277	½"	28.8	38.4	47.9
T11-16	400	134	40	45	1½"-12 UNF (Style 1)	90	432	48	50	M24 x 3P	320	¾"	37.7	50.3	62.9
T11-20	500	160	45	50	1 7/8"-12 UNF (Style 1)	118	542	58	65	M33 x 2P	401	¾"	59.1	78.8	98.5
T11-26	600	158	65	70	1½"-12 UNF (Style 1)	103	800	60	65	M27 x 3P	730	¾"	99	132	166



We're here to help

We know it's important for you to talk to someone who knows their stuff. So if you have technical questions or need help choosing the right products, talk to our team. We'll walk you through our proven problem solving process.

1. Tell us what you need.

Tell us about your project. What do you want to achieve? What problems do you need to overcome? Let's work back from there.

2. Choose the right solution.

Weigh up the options. We'll do the analysis, discuss the options with you, and make a recommendation—the choice we'd make in your shoes.

3. Get the job done.

Complete your project, with the right products, on time and to spec. We've got your back all the way, with support during installation and commissioning.

Tap into our expertise and talk to our friendly, expert team.

B | E | A | V | E | R

To request a quote or explore our product range, visit beaverprocess.com.au

Phone: 1300 295 799 | Email: sales@beaverprocess.com.au